

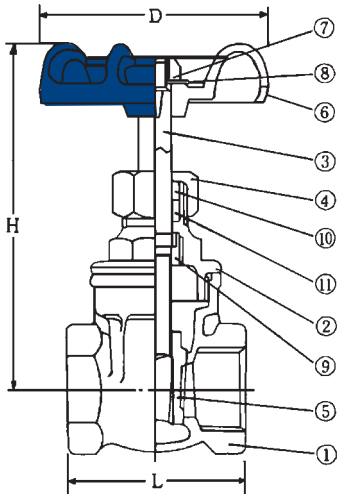
TURNFLO

Brass & Bronze

Valves and Strainers



Figure BGA – Brass Gate Valve

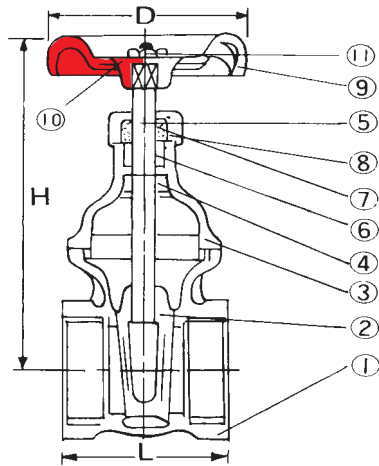


- Non-Rising Stem, Screwed Ends – BSP Parallel
- Pressure Rating 1600 kPa W.O.G.

No.	Part	Material
1	Body	Forged Brass
2	Bonnet	Forged Brass
3	Stem	Forged Brass
4	Packing Nut	Brass
5	Disc	Forged Brass
6	Hand Wheel	Cast Iron
7	Wheel Nut	Brass
8	Name Plate	Aluminium
9	Lock Washer	Brass
10	Gland	Brass
11	Gland Packing	PTFE

Size mm		8	10	15	20	25	32	40	50	65	80	100
End to End	L	40	42	48.5	51	59.5	59.5	63	69	88	95	114
Centre to Top	H	61.5	61.5	72.1	76.7	87.6	103	113.7	147.7	163.5	190	235
Wheel Dia.	D	45	45	55	55	60	72	72	80	100	110	130

Figure BRGA – Bronze Gate Valve

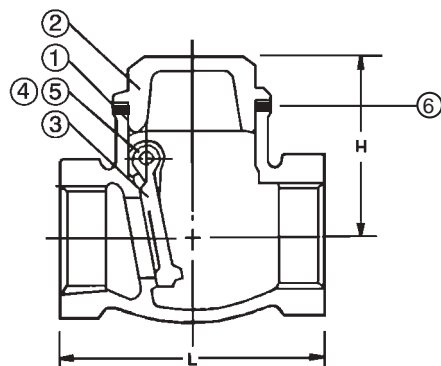


- Non-Rising Stem, Screwed Ends – BSP Parallel
- Pressure Rating 1400 kPa W.O.G.

No.	Part	Material
1	Body	Cast Bronze
2	Disc	Cast Bronze
3	Bonnet	Cast Bronze
4	Lock Nut	Brass
5	Stem	Brass
6	Packing	Non-Asbestos
7	Gland	Brass
8	Packing Nut	Brass
9	Handwheel	Cast Iron
10	Name Plate	Aluminium
11	Wheel Nut	Zinc Plate Carbon Steel

Size mm		10	15	20	25	32	40	50	65	80	100
End to End	L	42	42	50	54	60	65	71	88	96	115
Centre to Top	H	85	85	94	105	125	140	155	200	220	270
Wheel Dia.	D	55	55	63	63	80	80	90	110	125	140

Figure BCH – Swing Check Valve



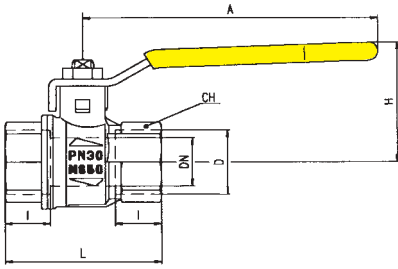
- Screwed Ends – BSP Parallel
- Pressure Rating 1400 kPa W.O.G.

No.	Part	Material
1	Body	Cast Brass
2	Cap	Cast Brass
3	Disc	Cast Brass
4	Hinge Pin	Brass Rod
5	Hex Plug	Brass Rod
6	Gasket	Compressed Fibre

Size mm		10	15	20	25	32	40	50	65	80	100
End to End	L	54	56	61	68	78	91	105	130	141	169
Centre to Top	H	35	36	40	44	52	60	66	78	83	100

Figures B84 & B84P – Ball Valves

B84: Screwed Ends – BSP-Taper, Yellow Handle. – **B84P:** Screwed Ends – BSP Parallel, Black Handle.



AGA Approved
2687
8-50mm
(2100 kPa)

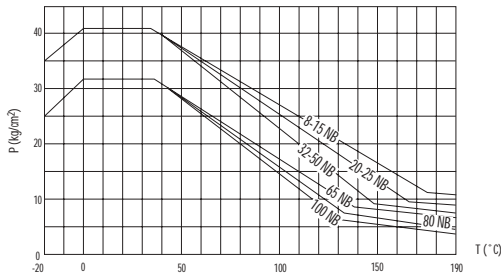
Features

- Robust Construction
- 100% Tested
- Blow Out Proof Stem
- O-Ring Stem Seal
- Temperature Range: -20°C + 170°C
- Lockable Handle Option
- Fig **B84.** 8-100mm, – Fig. **B84P.** 15-50mm

Materials

- Body: Nickel Plated Brass
- Ball: Chrome Plated Brass
- Seats: G/F PTFE
- Stem Seals: Viton O-Rings
- Handles: Dacrotised Steel with PVC Sleeve

Pressure – Temperature Chart



D(Size mm)	8	10	15	20	25	32	40	50	65	80	100
DN	8	10	15	20	25	32	40	50	64	76	95
I	12	12	16	17	21	23	23	27	32	35	42
L	45	45	59	64	81	93	102	121	156	177	216
A	82	82	100	120	120	158	158	158	255	255	255
H	38	38	43	50	54	73	79	86	132	140	154
CH	20	20	25	31	40	49	54	68	85	99	125
kPa	4100	4100	4100	4100	4100	4100	4100	4100	3100	3100	3100

Figure B34T – Mini Ball Valve

Mini-Ball Features

- Compact T-Handle Design
- Size Range 6-15mm
- Chrome Plated Brass Body & Ball
- PTFE Seats
- Viton O-Ring Seals
- Max. CWP 1500 kPa
- Max. Temp. 90°C
- F&F (Model B34T) or
- M&F (Model B34TMF) Options

Dimensions (mm) approximate

Size	6	8	10	15
Length	41	41	41	49
Height	21	21	21	25



Patented Lockable Handle



To fit all Turnflo 8-50 mm forged valves.

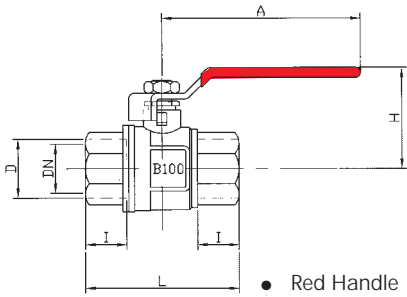
Made of strong dacrotised steel, the locking device covers the top nut of the valve, making removal impossible without removing the padlock.

Easy to install in the field, this handle will lock in open or closed position.

Product Code*	Valve Size mm
119809	8-15mm
119810	20-25mm
119811	32-50mm

*Use 7mm padlock all sizes. (Not Supplied).

Figure B100S Ball Valve



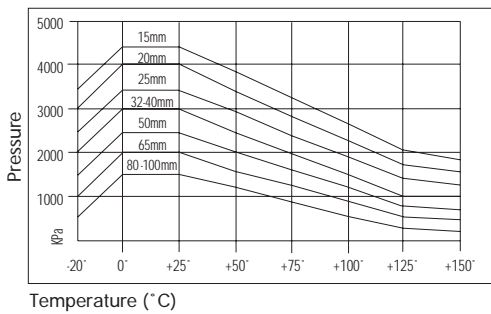
Features

- 100% Pressure Tested
- Full Port
- Generous Thread Depth
- Screwed Ends – BSP Parallel
- Also Available Fig B100S-MF (15-25mm) Screwed M & F

Materials

Body	Nickel Plated Brass
Ball	Chrome Plated Brass
Seats	PTFE
Stem Seals	15-50mm NBR O'ring 65-100mm PTFE Packing gland
Handle	Stainless Steel with Plastic Sleeve

Pressure – Temperature Chart



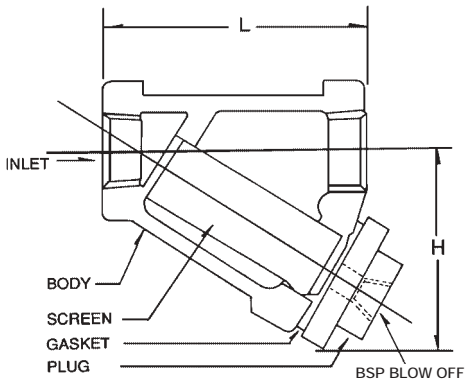
Dimensions (mm)

Size (mm)	15	20	25	32	40	50	65	80	100
I	16.5	18	20.5	23.5	23.5	28	28.8	28.8	36.6
L	60	67.5	80	96.5	105.5	139.6	139.6	151.8	188.2
A	93	112	113	130	162	230	230	230	230
H	45.7	50	54	65.5	90	115	115	123	135

Figure BYS – Y-Strainer

- Body, Cover and Plug – Bronze to ASTM B62
- Screen – 20 Mesh Stainless Steel
- Gasket – Silicone Rubber
- Screwed Bonnet
- Screwed Ends – BSP Parallel
- Pressure & Temperature Rating:

Steam	2100 kPa @ 232°C
Water, Oil, Gas	2700 kPa @ 66°C



Size mm	15	20	25	32	40	50
L	75	88	103	125	147	170
H	49	56.5	69.5	87	99	121.5

Size range 15-50 mm

DISCLAIMER

OneSteel provides the information contained in this brochure as a guide only for your information. OneSteel has taken reasonable care to ensure the accuracy of the material but you should not rely on the whole or any part of the information. OneSteel expressly disclaims all liability whatsoever for (including any direct or indirect loss or damage, costs or expenses howsoever incurred by any person) or reliance on the whole or any part of the information contained in or omitted from this brochure. OneSteel recommends that you verify any information regarding products with your independent expert adviser and rely solely on that adviser's recommendations.

MANUFACTURED EXCLUSIVELY FOR:

onesteel

Available from:

Available From:



OneSteel Piping Systems

Adelaide	70 Grand Junction Road, Kilburn SA	08 8304 7510
Brisbane	285 Lavarack Avenue, Eagle Farm QLD	07 3860 3300
Darwin	Lot 889 Stuart Highway, Berrimah NT	08 8935 0350
Gladstone	Bensted Street, Gladstone QLD	07 4972 8033
Mackay	Cnr. Harbour Road & Spiller Avenue, North Mackay QLD	07 4955 1555
Melbourne	31-41 National Drive, Lyndhurst VIC	03 8795 2300
Newcastle	Creek Road, Wallsend NSW	02 4955 0622
Perth	1 Howson Way, Spearwood WA	08 9494 0900
Sydney	412-426 Victoria Street, Wetherill Park NSW	02 9756 1899
Townsville	387-399 Bayswater Road, Garbutt QLD	07 4775 5100
Wollongong	Five Islands Road, Wollongong NSW	02 4271 1788

www.OneSteel.com



OneSteel Building Services

National (Toll Free)		1300 553 473
Adelaide	70 Grand Junction Road, Kilburn SA	08 8304 7570
Brisbane	Unit 5, 429 Creek Road, Mt Gravatt QLD	07 3420 4099
Melbourne	90 Turner Street, Port Melbourne VIC	03 8645 3222
Perth	1 Howson Way, Spearwood WA	08 9494 0989
Sydney	49 Elizabeth Street, Wetherill Park NSW	02 8788 5810

www.OneSteelBuildingServices.com

This information is provided for your assistance. However we are obliged to draw your attention to the following: OneSteel provides the information contained in this brochure as a guide only for your information. OneSteel has taken reasonable care to ensure the accuracy of the material but you should not rely on the whole or any part of the information. Technology is changing rapidly and product specifications and or manufacturing techniques may have changed since the first publication date of this document. OneSteel expressly disclaims all liability whatsoever for (including any direct or indirect loss or damage, costs or expenses howsoever incurred by any person) or reliance on the whole or any part of the information contained in or omitted from this brochure. OneSteel recommends that you verify any information regarding products with your independent expert adviser and rely solely on that adviser's recommendations.



All trademarks are property of their respective owners

"Victaulic" and "Victaulite" trademarks are owned by VICTAULIC COMPANY, Pennsylvania, United States of America

"OneSteel Building Service" is a Trademark of OneSteel Limited (ABN 63 004 410 833)