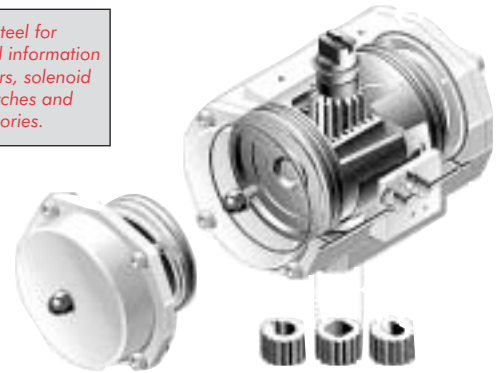


TURNFLO "TF" Series Pneumatic Actuators

SPECIFICATIONS

- Pressure 0.2 - 10 bar
- Temperature -20°C to +80°C
- Rotation 91.5° (0.5°cw to 91°ccw)
- Materials Casing - Aluminium Alloy
Shaft - High grade Aluminium Alloy
- Finish 2 component polyurethane
- Service Life One Million operations, minimum
- Base mount and drive to ISO 5211 standard
- Top Mount and air supply connections to NAMUR standard

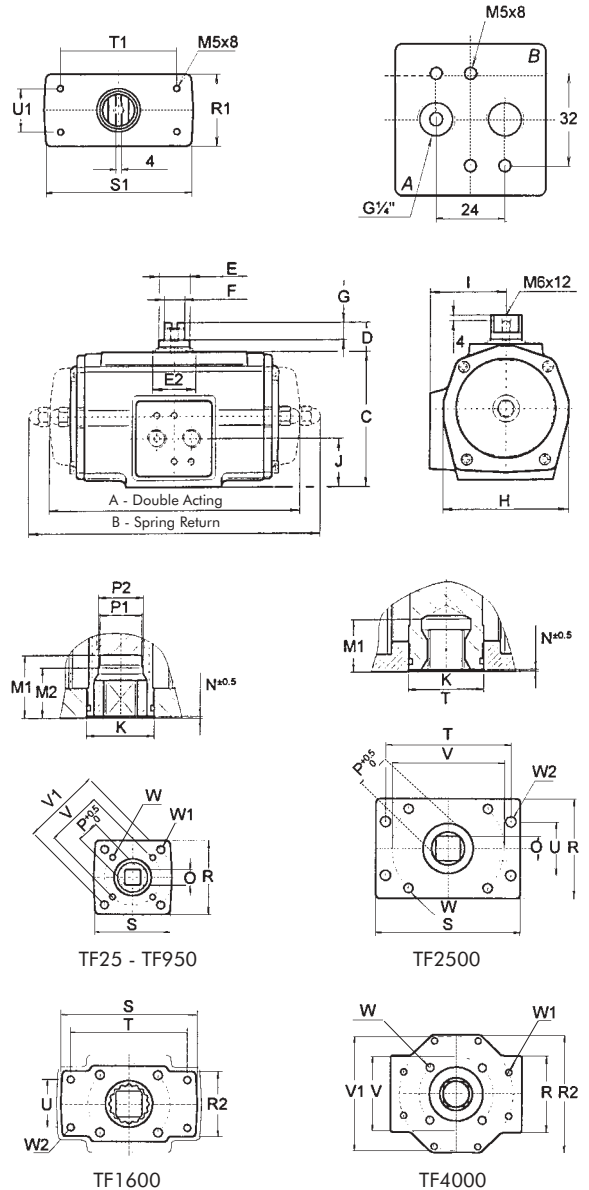
Refer to OneSteel for additional technical information on valves, actuators, solenoid valves, limit switches and other accessories.



DIMENSIONS

Dim. in mm	TF25	TF40	TF65	TF100	TF200	TF350	TF600	TF950	TF1600	TF2500	TF4000
A DA	159	180	199	221	283	305	387	424	516	378	502
B SR	172	204	249	267	360	387	477	517	637	570	834
C	80	93	105	118	143	181	220	259	297	356	380
D	20	20	20	20	20	20	30	30	30	30	30
E	16	22	22	22	36	36	55	55	64	55	64
E2	23	30	30	30	45	45	65	65	75	65	80
F	10	14	14	14	19	19	36	36	36	36	36
G	12	12	12	12	12	12	10	10	10	10	10
H	74	86	98	108	128	173	207	231	265	350	380
I	46	53	58	63	73	95	113	126	142	183	200
J	32	34	40	45	51	73	84.5	105.5	120.5	178	190
K	24	33	33	38	55	55	68	75	95	85	120
M1	34.5	34.5	34.5	34.5	50	50	52	64	82	66	77
M2	-	-	-	27	37	37	-	-	-	-	-
N	1	1	1	1.5	1.5	1.5	1.5	1.5	1.5	3	1.5
O max.	11.11	14.11	14.11	19.13	22.13	27.13	27.13	36.16	46.16	46.16	55.19
O min.	11.00	14.00	14.00	19.00	22.00	27.00	27.00	36.00	46.00	46.00	55.00
P	14.1	18.1	18.1	25.2	28.2	36.2	36.2	48.2	60.2	60.2	72.2
P1	14.1	18.1	21.1	23.1	32.1	32.1	36.5	48.5	60.5	-	-
P2	-	-	-	25.2	36.2	36.2	-	-	-	-	-
R	52	65	70	70	90	114	124	130	154	170	170
R1	50	50	50	60	60	60	90	90	125	160	160
R2	-	-	-	-	-	-	-	-	132	-	262
S	52	65	70	70	90	114	124	142	280	290	290
S1	100	100	100	100	100	100	170	170	210	245	245
T	-	-	-	-	-	-	-	-	234.6	234.6	-
T1	80	80	80	80	80	80	130	130	130	130	130
U	-	-	-	-	-	-	-	-	97.2	97.2	-
U1	30	30	30	30	30	30	30	30	30	30	30
V	36	50	50	50	70	70	102	102	165	165	165
V1	50	70	70	70	102	102	125	140	-	-	254
W	M5 x 8	M6 x 10	M6 x 10	M6 x 10	M8 x 13	M8 x 13	M10 x 16	M10 x 16	M20 x 30	M20 x 30	M20 x 30
W1	M6 x 10	M8 x 13	M8 x 13	M8 x 13	M10 x 16	M10 x 16	M12 x 20	M16 x 25	-	-	M16 x 25
W2	-	-	-	-	-	-	-	-	M16 x 25	M16 x 25	-

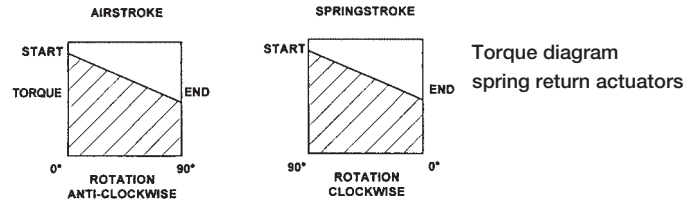
*Refer separate data sheet for TF12 dimensions



Actuator Type		TF12	TF25	TF40	TF65	TF100	TF200	TF350	TF600	TF950	TF1600	TF2500	TF4000
Bore	mm.	46	56	70	80	91	110	145	175	200	230	300	325
Stroke	mm.	12.6	15.7	18.8	22	25.1	37.7	37.7	44	50.3	62.8	56.5	81.7
Weight: double acting	kg.	0.61	1.3	1.8	2.4	3.1	5.8	10.4	19.4	26.4	42.7	56.8	86.6
spring return	kg.	0.67	1.7	2.4	3.6	4.6	9.1	16.9	27.6	38.6	65.8	88.2	131.8
Average operating time	sec.	0.4	0.5	0.7	1.1	1.2	2.3	3.6	4.5	5.4	6.9	7.0	12
Air consumption	Port A stroke	0.05	0.10	0.16	0.22	0.35	0.8	1.2	2.9	4.7	7.3	8.0	13.5
at 1 atm (litres)	Port B stroke	0.06	0.11	0.22	0.36	0.49	1.0	1.8	3.1	4.9	8.0	9.3	17.5

TURNFLO "TF" Series Pneumatic Actuators

Torque Outputs Torques in Nm

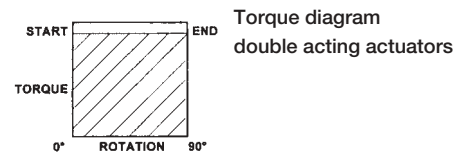


Spring Return

Springset nr.	Actuator Type	Airstroke (Nm, supply pressure in bar)																Spring stroke (Nm)	
		3		3.5		4		4.5		5		5.5		6		7		start	end
TF12	2	-	-	3.7	1.0	5.0	2.3	6.4	3.6	7.7	4.9	9.0	6.2	10.3	7.5	12.9	10.1	7.2	4.6
TF25	3	7	2	9	5	11	7	14	9	16	12	19	14	21	17	26	21	11	7
	4	-	-	-	-	9	3	11	5	14	8	16	10	19	13	23	17	14	9
	5	-	-	-	-	-	-	-	-	11	4	14	6	16	8	21	13	18	11
	6	-	-	-	-	-	-	-	-	-	-	11	2	14	4	18	9	21	13
TF40	3	12	4	17	8	22	13	26	18	31	22	35	27	40	31	49	40	20	12
	4	-	-	-	-	17	5	21	10	26	14	30	19	35	23	44	33	27	17
	5	-	-	-	-	-	-	-	-	21	7	26	11	30	16	39	25	33	21
	6	-	-	-	-	-	-	-	-	-	-	21	4	25	8	34	17	40	25
TF65	3	18	5	25	11	32	18	39	25	46	32	52	39	59	46	73	60	32	20
	4	-	-	-	-	24	6	31	13	38	20	45	27	52	34	66	48	42	26
	5	-	-	-	-	-	-	-	-	30	8	37	15	44	22	58	36	53	33
	6	-	-	-	-	-	-	-	-	-	-	30	3	37	10	50	23	63	40
TF100	3	29	10	39	20	49	30	59	41	70	51	80	61	90	71	110	91	44	27
	4	-	-	-	-	39	14	49	24	59	34	69	44	80	54	100	75	58	37
	5	-	-	-	-	-	-	-	-	49	17	59	27	69	38	89	58	73	46
	6	-	-	-	-	-	-	-	-	-	-	48	11	59	21	79	41	88	55
TF200	3	61	19	84	42	106	64	129	86	151	109	173	131	196	153	240	198	98	61
	4	-	-	-	-	83	26	105	49	127	71	150	93	172	116	217	160	131	82
	5	-	-	-	-	-	-	-	-	104	33	126	56	149	78	193	123	164	102
	6	-	-	-	-	-	-	-	-	-	-	103	18	125	41	170	85	196	123
TF350	3	101	30	140	68	179	107	217	146	256	185	295	224	334	263	412	340	174	112
	4	-	-	-	-	136	41	175	80	214	118	252	157	291	196	369	274	232	149
	5	-	-	-	-	-	-	-	-	171	52	210	91	249	130	326	207	289	186
	6	-	-	-	-	-	-	-	-	-	-	-	-	206	63	283	141	347	223
TF600	3	179	54	245	120	311	186	377	252	443	318	509	384	575	450	707	582	292	183
	4	-	-	-	-	240	74	306	140	372	206	438	272	504	338	636	470	389	245
	5	-	-	-	-	-	-	-	-	302	94	368	160	434	226	566	358	487	306
	6	-	-	-	-	-	-	-	-	-	-	298	48	364	114	496	246	584	367
TF950	3	272	82	371	181	469	279	568	378	666	476	765	575	863	673	1060	870	434	269
	4	-	-	268	14	366	113	465	211	563	310	662	408	760	507	957	704	579	359
	5	-	-	-	-	-	-	-	-	460	143	559	242	657	340	854	537	724	448
	6	-	-	-	-	-	-	-	-	-	-	456	75	554	174	751	371	869	538
TF1600	3	445	144	608	307	771	470	934	633	1097	796	1260	959	1423	1121	1748	1447	711	449
	4	-	-	-	-	599	198	762	361	925	523	1088	686	1251	849	1577	1175	947	598
	5	-	-	-	-	-	-	-	-	753	251	916	414	1079	577	1405	903	1184	748
	6	-	-	-	-	-	-	-	-	-	-	744	142	907	305	1233	630	1421	897
TF2500	8	712	320	958	566	1203	811	1449	1057	1694	1302	1940	1548	2186	1794	2677	2285	1057	663
	10	-	-	774	284	1019	529	1265	775	1510	1020	1756	1266	2001	1511	2492	2002	1321	829
	12	-	-	-	-	835	247	1081	492	1326	738	1572	984	1817	1229	2308	1720	1585	995
	14	-	-	-	-	-	-	896	210	1142	456	1387	701	1633	947	2124	1438	1849	1160
TF4000	8	1213	551	1629	968	2045	1384	2462	1800	2878	2216	3294	2633	3710	3049	4543	3882	1783	1119
	10	-	-	1318	491	1734	908	2151	1324	2567	1740	2983	2157	3400	2573	4232	3405	2229	1399
	12	-	-	-	-	1424	431	1840	848	2256	1264	2672	1680	3089	2097	3921	2929	2674	1679
	14	-	-	-	-	-	-	1529	372	1945	788	2362	1204	2778	1620	3610	2453	3120	1958

Double Acting

Actuator	Supply pressure (bar)										
	2	3	3.5	4	4.5	5	5.5	6	6.5	7	8
TF12	4.8	7.3	8.5	9.7	10.9	12.2	13.4	14.6	15.9	17.1	19.6
TF25	9	13	16	18	20	23	25	27	29	32	36
TF40	17	25	29	34	38	42	47	51	55	59	68
TF65	25	38	45	51	58	64	71	78	84	91	104
TF100	37	57	66	76	86	95	105	114	124	134	153
TF200	82	124	146	167	188	209	230	251	272	293	335
TF350	143	216	253	290	326	363	400	436	473	510	583
TF600	243	368	430	492	554	617	679	741	804	866	991
TF950	363	549	642	735	828	921	1014	1107	1200	1293	1479
TF1600	600	907	1061	1214	1368	1522	1676	1829	1983	2137	2444
TF2500	958	1449	1694	1940	2186	2431	2677	2922	3168	3412	3904
TF4000	1624	2456	2872	3289	3705	4121	4538	4954	5370	5786	6619



OneSteel provides the information contained in this brochure as a guide only for your information. OneSteel has taken reasonable care to ensure the accuracy of the material but you should not rely on the whole or any part of the information. OneSteel expressly disclaims all liability whatsoever for (including any direct or indirect loss or damage, costs or expenses howsoever incurred by any person) or reliance on the whole or any part of the information contained in or omitted from this brochure. OneSteel recommends that you verify any information regarding products with your independent expert adviser and rely solely on that adviser's recommendations.

MANUFACTURED EXCLUSIVELY FOR:



Distributed by:



Available From:



OneSteel Piping Systems

Adelaide	70 Grand Junction Road, Kilburn SA	08 8304 7510
Brisbane	285 Lavarack Avenue, Eagle Farm QLD	07 3860 3300
Darwin	Lot 889 Stuart Highway, Berrimah NT	08 8935 0350
Gladstone	Bensted Street, Gladstone QLD	07 4972 8033
Mackay	Cnr. Harbour Road & Spiller Avenue, North Mackay QLD	07 4955 1555
Melbourne	31-41 National Drive, Lyndhurst VIC	03 8795 2300
Newcastle	Creek Road, Wallsend NSW	02 4955 0622
Perth	1 Howson Way, Spearwood WA	08 9494 0900
Sydney	412-426 Victoria Street, Wetherill Park NSW	02 9756 1899
Townsville	387-399 Bayswater Road, Garbutt QLD	07 4775 5100
Wollongong	Five Islands Road, Wollongong NSW	02 4271 1788

www.OneSteel.com



OneSteel Building Services

National (Toll Free)		1300 553 473
Adelaide	70 Grand Junction Road, Kilburn SA	08 8304 7570
Brisbane	Unit 5, 429 Creek Road, Mt Gravatt QLD	07 3420 4099
Melbourne	90 Turner Street, Port Melbourne VIC	03 8645 3222
Perth	1 Howson Way, Spearwood WA	08 9494 0989
Sydney	49 Elizabeth Street, Wetherill Park NSW	02 8788 5810

www.OneSteelBuildingServices.com

This information is provided for your assistance. However we are obliged to draw your attention to the following: OneSteel provides the information contained in this brochure as a guide only for your information. OneSteel has taken reasonable care to ensure the accuracy of the material but you should not rely on the whole or any part of the information. Technology is changing rapidly and product specifications and or manufacturing techniques may have changed since the first publication date of this document. OneSteel expressly disclaims all liability whatsoever for (including any direct or indirect loss or damage, costs or expenses howsoever incurred by any person) or reliance on the whole or any part of the information contained in or omitted from this brochure. OneSteel recommends that you verify any information regarding products with your independent expert adviser and rely solely on that adviser's recommendations.



All trademarks are property of their respective owners

"Victaulic" and "Victaulite" trademarks are owned by VICTAULIC COMPANY, Pennsylvania, United States of America

"OneSteel Building Service" is a Trademark of OneSteel Limited (ABN 63 004 410 833)