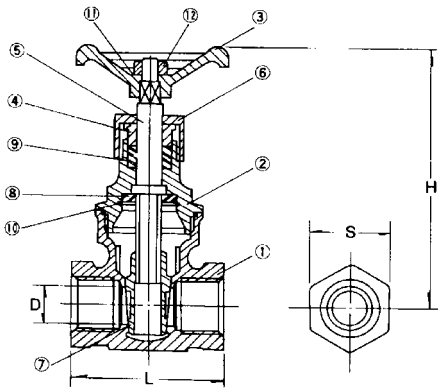


FIG SGA GATE VALVE



- Screwed Bonnet NRS, Screwed BSP
- ASTM A351 CF8M
- 1400 kPa Working Pressure WOG at 180°C

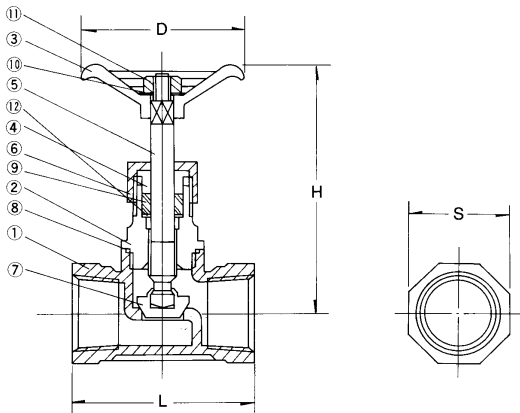
MATERIALS OF CONSTRUCTION

NO.	QTY	PART NAME	SPECIFICATION
1	1	Body	Stainless Type 316
2	1	Bonnet	Stainless Type 316
3	1	Hand Wheel	Cast Iron
4	1	Gland	Stainless Type 316
5	1	Stem	Stainless Type 316
6	1	Packing nut	Stainless Type 304
7	1	Disc	Stainless Type 316
8	1	Stem Washer	Stainless Type 316
9	1	Gland Packaging	Teflon
10	1	Snap Ring	Stainless Type 316
11	1	Name Plate	Aluminium
12	1	Wheel Nut	Stainless Type 304

Size mm	8	10	15	20	25	32	40	50	65	80
L	50	50	55	60	65	80	85	95	110	125
H	90	90	95	110	120	135	145	170	210	235
D	11	11	15	20	25	32	38	50	65	80
S	24	24	28	34	40	50	56	68	86	100

Size range 8-80mm

FIG SGL GLOBE VALVE



- Screwed Bonnet, Rising Stem, Screwed BSP
- ASTM A 351 CF8M
- 1400 kPa Working Pressure WOG at 180° C

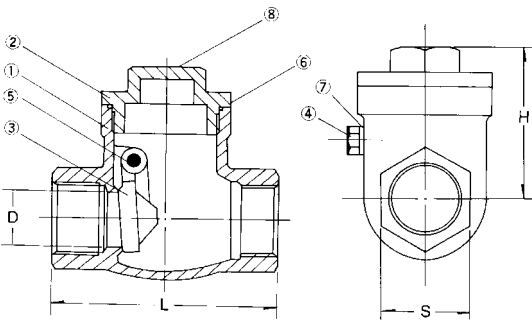
MATERIALS OF CONSTRUCTION

NO.	QTY	PART NAME	SPECIFICATION
1	1	Body	Stainless Type 316
2	1	Bonnet	Stainless Type 316
3	1	Hand Wheel	Cast Iron
4	1	Gland	Stainless Type 316
5	1	Stem	Stainless Type 316
6	1	Gland Nut	Stainless Type 304
7	1	Disc	Stainless Type 316
8	1	Gasket	Teflon
9	1	Gland Packaging	Teflon
10	1	Name Plate	Aluminium
11	1	Wheel Nut	Stainless Type 304
12	1	Packing Washer	Stainless Type 316

Size mm	8	10	15	20	25	32	40	50
L	50	50	55	62	75	80	90	105
H	75	75	75	85	90	100	115	120
D	52	52	57	65	65	85	85	95
S	19	22	27	32	41	50	56	69

Size range 8-50mm

FIG SSC SWING CHECK VALVE



- Screwed Bonnet, Screwed BSP
- ASTM A351 CF8M
- 1400 kPa Working Pressure WOG at 180°C

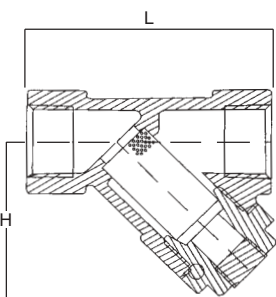
MATERIALS OF CONSTRUCTION

NO.	QTY	PART NAME	SPECIFICATION
1	1	Body	Stainless Type 316
2	1	Body Cap	Stainless Type 316
3	1	Disc	Stainless Type 316
4	1	Plug	Stainless Type 316
5	1	Hinge Pin	Stainless Type 316
6	1	Gasket	Teflon
7	1	Gasket	Teflon
8	1	Name Plate	Aluminium

Size mm	8	10	15	20	25	32	40	50	65	80
L	60	60	65	80	90	105	120	140	180	200
H	42	42	48	55	62	70	80	90	105	115
D	11	11	15	20	25	32	38	50	65	80
S	22	22	26	32	40	50	56	68	86	100

Size range 8-80mm

FIG SYS STRAINER



- Body & Cap – ASTM A351 Gr CF8M (316)
- Screen – Stainless Steel - 1mm holes, 28 holes/Sq.cm 23% open area
- Gasket – PTFE
- Ends screwed BSP
- Pressure & Temperature rating:
 Steam 4000 kPa @ 450°C
 Water, oil, gas 9400 kPa @ 38°C

Size mm	15	20	25	32	40	50
L	76	87	103	120	135	160
H	50.6	56.2	69.3	79.5	92.6	107.8

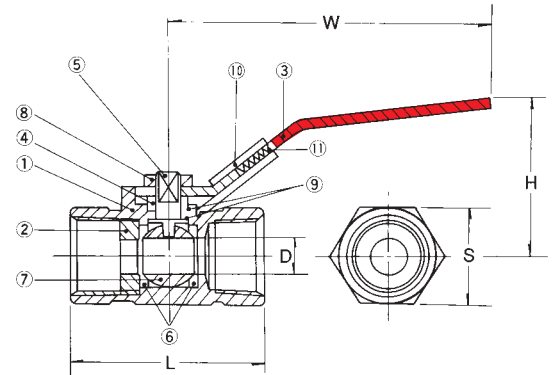
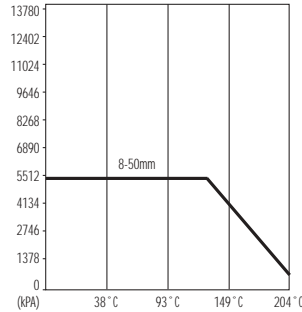
Size range 15-50 mm

FIG SB1 1-PIECE BALL VALVE

MATERIALS OF CONSTRUCTION

NO.	QTY	PART NAME	SPECIFICATION
1	1	Body	SS316
2	1	Insert	SS316
3	1	Handle	SS304
4	1	Gland	SS304
5	1	Stem	SS316
6	2	Seat Ring	RPTFE
7	1	Ball	SS316
8	1	Handle Nut	SS304
9	2	Thrust Washer	Teflon
10	1	Locking Device	SS304
11	1	Spring	SS304

PRESSURE/TEMPERATURE RATINGS



DIMENSIONS

Size mm	8	10	15	20	25	32	40	50
L	41	44	53	59	68	78	86	98
H	38	40	42	50	53	66	70	76
S	18	22	26	32	38	48	55	68
D	5	8	9.4	12.7	16	19.5	25	32
W	83	83	83	90	90	153	153	153

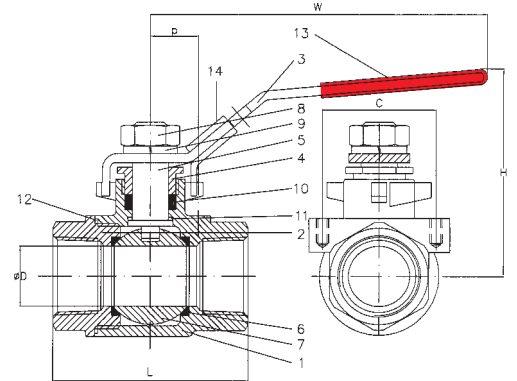
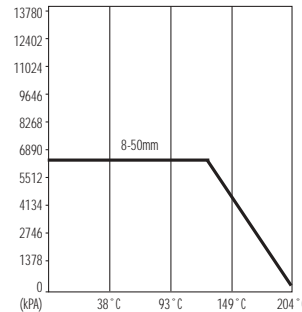
- Pressure rated to 5500kPa @ 110°C
- Regular Port
- Screwed BSP
- Locking Lever

FIG SB2 2-PIECE BALL VALVE

MATERIALS OF CONSTRUCTION

NO.	QTY	PART NAME	SPECIFICATION
1	1	Body	SS316
2	1	Cap	SS316
3	1	Handle	SS304
4	1	Gland Nut	SS304
5	1	Stem	SS316
6	2	Seat Ring	RPTFE
7	1	Ball	SS316
8	1	Handle Nut	SS304
9	1	Spring Washer	SS304
10	3	Gland Packing	RPTFE
11	1	Thrust Washer	RPTFE
12	1	Seal	RPTFE
13	1	Handle Sleeve	Plastic
14	1	Locking Device	SS304

PRESSURE/TEMPERATURE RATINGS



DIMENSIONS

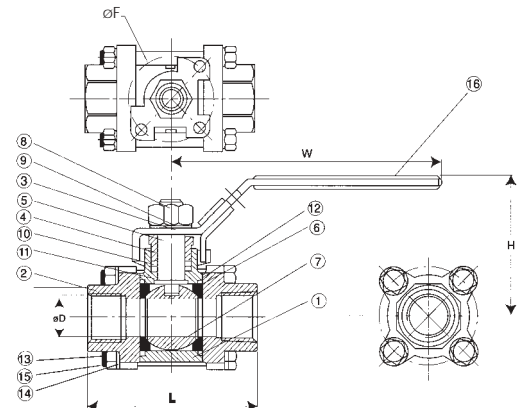
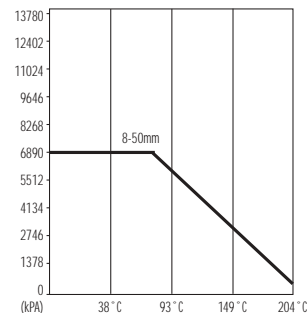
Size mm	8	10	15	20	25	32	40	50
L	50	50	62	71	83	97	104	125
W	96	96	96	126	126	178	178	178
H	54	54	57	68.5	72.5	90.5	95	104.5
D	11	12.5	16	20	25	32	38	51

- Pressure Rated to 6890kPa @ 110°C
- Full Port
- Screwed BSP
- Locking Lever
- Mounting Pad for Actuator

FIG SB3 3-PIECE BALL VALVE

NO.	QTY	PART NAME	SPECIFICATION
1	1	Body	SS316
2	2	Cap	SS316
3	1	Handle	SS304
4	1	Gland Nut	SS304
5	1	Stem	SS316
6	2	Seat Ring	RPTFE
7	1	Ball	SS316
8	1	Handle Nut	SS304
9	1	Spring Washer	SS304
10	3	Gland Packing	RPTFE
11	1	Thrust Washer	RPTFE
12	2	Seal Washer	RPTFE
13	4	Bolt	SS304
14	4	Bolt Washer	SS304
15	4	Hex Nut	SS304
16	1	Handle Sleeve	Plastic

PRESSURE/TEMPERATURE RATINGS



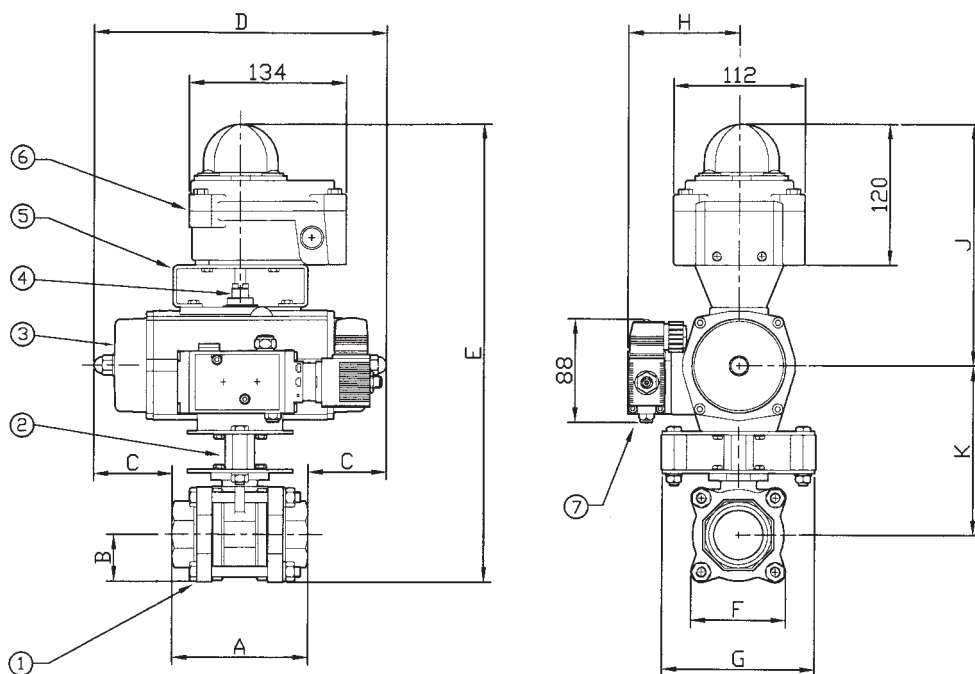
DIMENSIONS

Size mm	8	10	15	20	25	32	40	50	65	80
L	54	54	65	76	88	102	109	129	159	174
W	96	96	96	126	126	179	179	179	244	244
H	54.5	54.5	57.5	69	73	91	95.5	105	120	131
D	11	12.5	16	20	25	32	38	51	65	80
F	36	36	36	36	42	42	50	50	70	70

- Pressure rated 8-50 mm 6890 kPa @ 80°C
- Full Port
- Screwed BSP (B/W or S/W ends options available)
- Drop-out body for ease of maintenance
- Available with pneumatic actuator & instrumentation
- Locking Lever
- Optional carbon-filled seats available for higher temperatures

FIG SB3 3-PIECE BALL VALVE - ACTUATED

- SB3 Valve has International Standard ISO 5211 integral mounting pad
- Actuator mounts to valve body. Body bolts not disturbed
- Gland adjustable with actuator fitted
- Double Acting or Spring-Return Pneumatic Actuation
- Full Instrumentation Package available including Airsets, Solenoid Valves, Limit Switches, Air Exhaust Valves, Silencers, Speed Restrictors
- Stainless Steel actuator mount & drive coupling



TURNFLO SB3 ACTUATED BALL VALVES WITH FULL INSTRUMENTATION		
ITEM	DESCRIPTION	MATERIAL
1	Ball Valve- Turnflo SB3, BSP Ends	316 S/S
2	Mounting Bracket (Valve/Actuator)	Stainless St
3	Spring Return Pneumatic Actuator- Turnflo	Al. Alloy
4	Coupling (Actuator/Limit Switch)	Al. Alloy
5	Mounting Bracket (Limit Switch/Actuator)	Stainless St
6	Limit Switch- Model APL 310N	Al. Alloy
7	3/2 Way Solenoid Valve- Burkert Type 6519	Polyamide

BALL VALVE	SPR. RTN ACTUATOR	SOL. VALVE	LIMIT SWITCH	DIMENSIONS (mm)										
PART No.	SIZE (mm)	TURNFLO PART No.	(BURKERT)	(APL)	A	B	C	D	E	F	G	H	J	K
SB3	15	TF12S	TYPE 6519	APL 310N	63	23	22	118	294	45	68	70	186	85
	20	TF25S			74	27	46	172	319	54	68	83	196	96
	25	TF40S			84	31	57	204	340	61	80	90	203	106
	32				96	37	47		360	74				120
	40	TF65S			105	40	65	249	393	81	130	95	209	144
	50	TF100S			123	50	64	267	428	100	130	100	215	163

OneSteel provides the information contained in this brochure as a guide only for your information. OneSteel has taken reasonable care to ensure the accuracy of the material but you should not rely on the whole or any part of the information. OneSteel expressly disclaims all liability whatsoever for (including any direct or indirect loss or damage, costs or expenses howsoever incurred by any person) or reliance on the whole or any part of the information contained in or omitted from this brochure. OneSteel recommends that you verify any information regarding products with your independent expert adviser and rely solely on that adviser's recommendations.

MANUFACTURED EXCLUSIVELY FOR:

onesteel

Distributed by:

Available From:



OneSteel Piping Systems

Adelaide	70 Grand Junction Road, Kilburn SA	08 8304 7510
Brisbane	285 Lavarack Avenue, Eagle Farm QLD	07 3860 3300
Darwin	Lot 889 Stuart Highway, Berrimah NT	08 8935 0350
Gladstone	Bensted Street, Gladstone QLD	07 4972 8033
Mackay	Cnr. Harbour Road & Spiller Avenue, North Mackay QLD	07 4955 1555
Melbourne	31-41 National Drive, Lyndhurst VIC	03 8795 2300
Newcastle	Creek Road, Wallsend NSW	02 4955 0622
Perth	1 Howson Way, Spearwood WA	08 9494 0900
Sydney	412-426 Victoria Street, Wetherill Park NSW	02 9756 1899
Townsville	387-399 Bayswater Road, Garbutt QLD	07 4775 5100
Wollongong	Five Islands Road, Wollongong NSW	02 4271 1788

www.OneSteel.com



OneSteel Building Services

National (Toll Free)		1300 553 473
Adelaide	70 Grand Junction Road, Kilburn SA	08 8304 7570
Brisbane	Unit 5, 429 Creek Road, Mt Gravatt QLD	07 3420 4099
Melbourne	90 Turner Street, Port Melbourne VIC	03 8645 3222
Perth	1 Howson Way, Spearwood WA	08 9494 0989
Sydney	49 Elizabeth Street, Wetherill Park NSW	02 8788 5810

www.OneSteelBuildingServices.com

This information is provided for your assistance. However we are obliged to draw your attention to the following: OneSteel provides the information contained in this brochure as a guide only for your information. OneSteel has taken reasonable care to ensure the accuracy of the material but you should not rely on the whole or any part of the information. Technology is changing rapidly and product specifications and or manufacturing techniques may have changed since the first publication date of this document. OneSteel expressly disclaims all liability whatsoever for (including any direct or indirect loss or damage, costs or expenses howsoever incurred by any person) or reliance on the whole or any part of the information contained in or omitted from this brochure. OneSteel recommends that you verify any information regarding products with your independent expert adviser and rely solely on that adviser's recommendations.



All trademarks are property of their respective owners

"Victaulic" and "Victaulite" trademarks are owned by VICTAULIC COMPANY, Pennsylvania, United States of America

"OneSteel Building Service" is a Trademark of OneSteel Limited (ABN 63 004 410 833)