

onesteel

D R Ball Valve

VIR Model 350

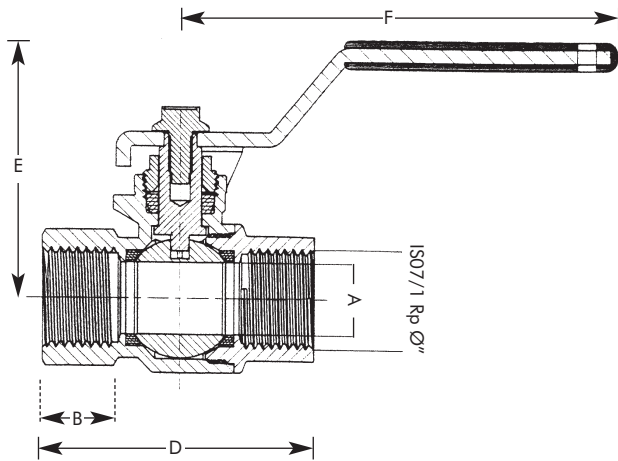


- D R Brass Body
- Watermark Approved (Licence No. W296)
- AGA Approved
- Threaded Ends
- Size Range 8 - 50mm



D R Brass Ball Valve

Model 350



Features

- D R Brass Body
- Watermark Approved (Licence No. W296)
- AGA Approved
- Size Range 8 - 50mm
- Pressure Rating 2000 kPa
- Threaded ISO 7/1 Rp Series

DIMENSIONS

Size (mm)	A	B	D	E	F
8	10	12.5	46	38.5	81.0
10	10	12.5	46	38.5	81.0
15	15	15.5	57	54.2	91.5
20	20	16.5	67	57.3	91.5
25	25	19.5	77	66.3	126.5
32	32	21.5	92	71.8	126.5
40	40	21.5	103	82.0	142.0
50	50	25.0	122	90.0	142.0

MATERIALS OF CONSTRUCTION

Description	Qty	Material / Specification
Packing Nut	1	Brass ASTM B124 C37700
Body	1	Brass BS 2872 CZ132 (DZR)
Chromium Plated Ball	1	Brass BS 2874 CZ132 (DZR)
Stem	1	Brass BS 2874 CZ132 (DZR)
Packing Ring	1	P.T.F.E.
Handle	1	Steel ASTM A36 Dacromet Plated (Green Sleeve)
Handle Screw	1	Steel ASTM A36 Dacromet Plated
Seats	2	P.T.F.E.



AGA APPROVED



Spec. 012
Lic. No. W296

DISCLAIMER

OneSteel provides the information contained in this brochure as a guide only for your information. OneSteel has taken reasonable care to ensure the accuracy of the material but you should not rely on the whole or part of the information. OneSteel expressly disclaims all liability whatsoever for (including any direct or indirect loss or damage, costs or expenses howsoever incurred by any person) or reliance on the whole or part of the information contained in or omitted from this brochure. OneSteel recommends that you verify any information regarding products with your independent expert adviser and rely solely on that adviser's recommendations.

Available from:

onesteel

Available From:



OneSteel Piping Systems

Adelaide	70 Grand Junction Road, Kilburn SA	08 8304 7510
Brisbane	285 Lavarack Avenue, Eagle Farm QLD	07 3860 3300
Darwin	Lot 889 Stuart Highway, Berrimah NT	08 8935 0350
Gladstone	Bensted Street, Gladstone QLD	07 4972 8033
Mackay	Cnr. Harbour Road & Spiller Avenue, North Mackay QLD	07 4955 1555
Melbourne	31-41 National Drive, Lyndhurst VIC	03 8795 2300
Newcastle	Creek Road, Wallsend NSW	02 4955 0622
Perth	1 Howson Way, Spearwood WA	08 9494 0900
Sydney	412-426 Victoria Street, Wetherill Park NSW	02 9756 1899
Townsville	387-399 Bayswater Road, Garbutt QLD	07 4775 5100
Wollongong	Five Islands Road, Wollongong NSW	02 4271 1788

www.OneSteel.com



OneSteel Building Services

National (Toll Free)		1300 553 473
Adelaide	70 Grand Junction Road, Kilburn SA	08 8304 7570
Brisbane	Unit 5, 429 Creek Road, Mt Gravatt QLD	07 3420 4099
Melbourne	90 Turner Street, Port Melbourne VIC	03 8645 3222
Perth	1 Howson Way, Spearwood WA	08 9494 0989
Sydney	49 Elizabeth Street, Wetherill Park NSW	02 8788 5810

www.OneSteelBuildingServices.com

This information is provided for your assistance. However we are obliged to draw your attention to the following: OneSteel provides the information contained in this brochure as a guide only for your information. OneSteel has taken reasonable care to ensure the accuracy of the material but you should not rely on the whole or any part of the information. Technology is changing rapidly and product specifications and or manufacturing techniques may have changed since the first publication date of this document. OneSteel expressly disclaims all liability whatsoever for (including any direct or indirect loss or damage, costs or expenses howsoever incurred by any person) or reliance on the whole or any part of the information contained in or omitted from this brochure. OneSteel recommends that you verify any information regarding products with your independent expert adviser and rely solely on that adviser's recommendations.



All trademarks are property of their respective owners

"Victaulic" and "Victaulite" trademarks are owned by VICTAULIC COMPANY, Pennsylvania, United States of America

"OneSteel Building Service" is a Trademark of OneSteel Limited (ABN 63 004 410 833)