

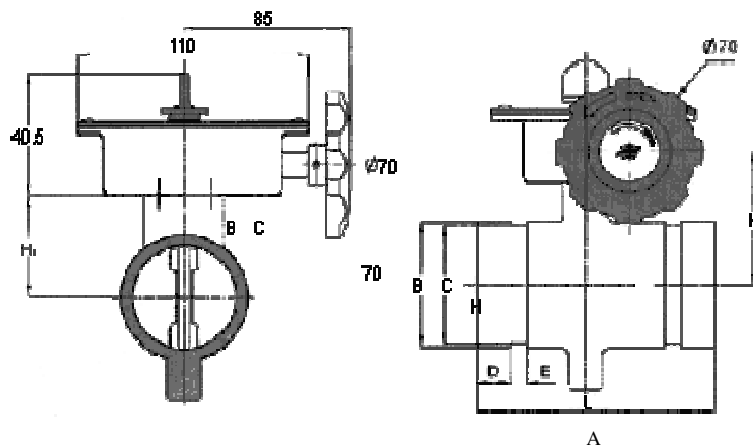
**MODEL BB-G
Butterfly Valve
Gear Operated**



Nominal Size mm	Pipe O.D mm	Dimensions					
		mm					
size		A	B	C	D	E	G
50	60.3	144	60.3	57.1	16	8	65
65	76.1	144	73	69	16	8	65



- Max Working Pressure 1250KPa / 175psi
- EPDM Encapsulated Disc
- Sizes from 50-65mm



Features

- Suitable for Indoor use only
- Body – Brass, Bronze, Stem – Hardened Stainless Steel
- Maximum test pressure 2400KPa/350psi
- Max working Temperature 120 C



Global Valves are a world renowned manufacturer of high quality valves out of the Sam Chang Foundry. They have specialist capability in the manufacture of fire protection valves. The company was founded in 1967 and is equipped with the latest technology from around the world to produce high quality valves.

OneSteel Building Services is a specialist trade supplier of pipe, valves and fittings to the fire protection and mechanical services markets in the building construction industry. As a national segment focused business, OneSteel Building Services is uniquely placed to deliver both local and national solutions to customers across Australia.

With specialist teams in each capital city, our strength is in our technical capability and expertise to provide product and application support to mechanical contractors, Plumbers, Sprinkler Fitters, Fabricators, Pump Manufacturers and EPCM customers (Engineering, Procurement and Construction Management).

OneSteel Building Services has proven ability and long-term experience in serving the fire protection and mechanical services markets and we intimately understand the urgent nature of the building industry. We know it is important to be responsive, value our customer relationships and ensure our service is speedy, reliable and convenient.

OneSteel Piping Systems is one of Australia's leading product and service providers of pipe, valves and fittings in the resources, construction, manufacturing and energy markets. We Partner with key customers in oil and gas, mining and engineering construction, offering customised solutions with our superior range of piping systems products and national service capability.

Our dedicated personnel bring industry experience and technical capability that enables us to work closely with clients to add value to our relationships and maximise customer satisfaction.

By sourcing domestically and internationally, OneSteel Piping Systems is experienced in connecting our customers with some of the most recognised brands for pipe, valves and fittings. We have long standing relationships with some of the world's leading valve manufacturers and import a comprehensive range of pipe and fittings. This is in addition to our locally manufactured pipe from Australian Tube Mills and OneSteel Oil & Gas Pipe.

As a specialist supplier to many industries, OneSteel Piping Systems offers a complete package. Whether it's a project, application advice or next day delivery for a piping system product anywhere in Australia, OneSteel has the solution.

National:		1300 553 473
Adelaide:	70 Grand Junction Road, Kilburn SA	08 8304 7570
Brisbane:	Unit 5, 429 Creek Road, Mt Gravatt QLD	07 3420 4099
Melbourne:	90 Turner Street, Port Melbourne VIC	03 8645 3222
Perth	1 Howson Way, Spearwood WA	08 9494 0989
Sydney	Unit 1, 172 Silverwater Road, Silverwater NSW	02 9751 8400

This information is provided for your assistance. However we are obliged to draw your attention to the following: OneSteel provides the information contained in this brochure as a guide only for your information. OneSteel has taken reasonable care to ensure the accuracy of the material but you should not rely on the whole or any part of the information. OneSteel expressly disclaims all liability whatsoever for (including any direct or indirect loss or damage, costs or expenses howsoever incurred by any person) or reliance on the whole or any part of the information contained in or omitted from this brochure. OneSteel recommends that you verify any information regarding products with your independent expert adviser and rely solely on that adviser's recommendations.

